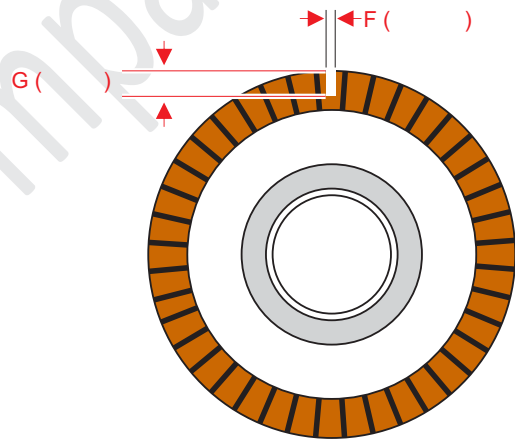
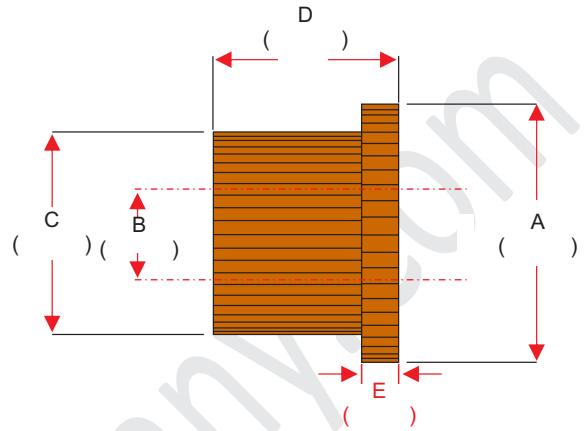


MALIK
C O M P A N Y

MANUFACTURER OF AUTO PARTS & POWER TOOLS

COMMUTATOR SIZE DETAIL

Commutator Bars / Slots	
A (Riser Diameter)	
B (Inner Bore)	
C (Brush Diameter)	
D (Total Length)	
E (Riser Width)	
F (width)	
G (Deep)	



Commutator Reference Number

Custom Size

Armature OEM Number:

Desire Quantity: _____

Customer Contact:

Commutators. Its what we do

1# Malik Market Chaudhary Park, Rashid Road, Lahore. Pakistan.

Pakistan Office : +92 42 37723216, Pakistan Contact : +92 333 4329867

Netherlands Office : +31 6 38789894, Turkey Office : +90 531 5070850

E-mail: malikcompany.com, Web: www.malikcompany.com